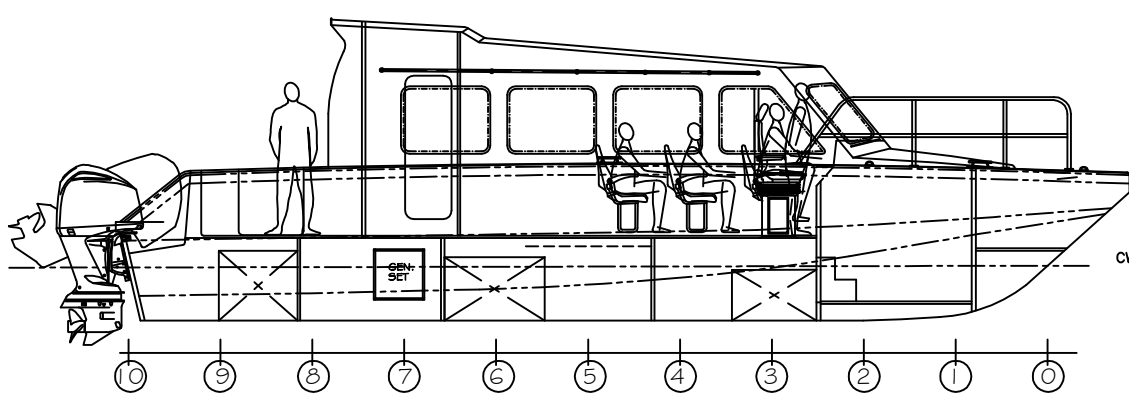
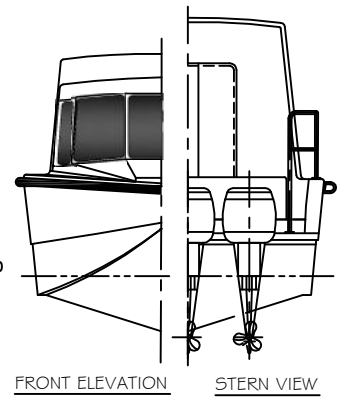


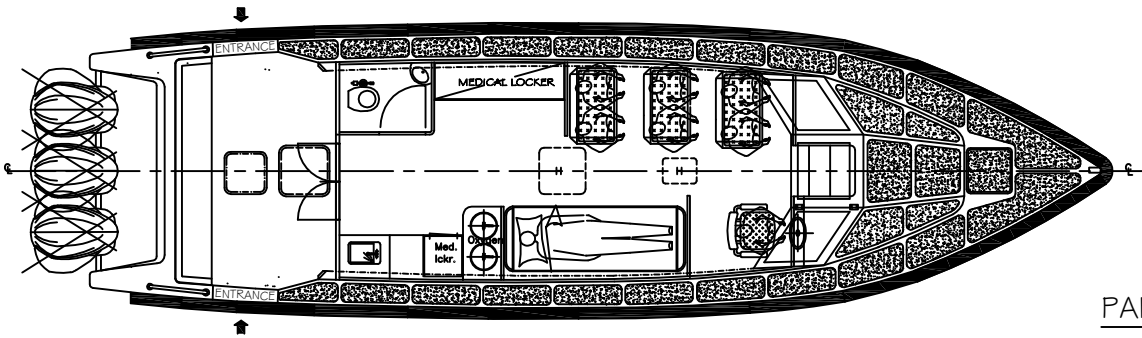
OUTBOARD PROFILE



PROFILE



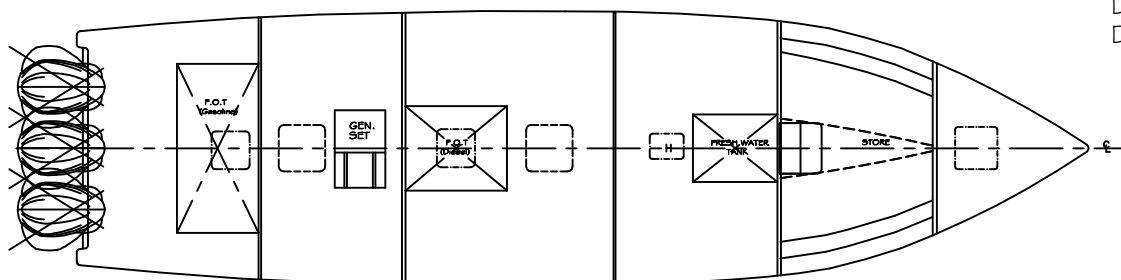
FRONT ELEVATION STERN VIEW




MAIN DECK

PARTICULARS:

L.O.A	12.40 M
L.W.L	10.88 M
BEAM	3.14 M
DEPTH	1.70 M
DRAFT	0.75 M



BELOW DECK

		PROJECT	
		12.4M AMBULANCE BOA	
POOL-CRAFT-CRAFT-YACHTS-TRADING		CLIENT	
		GENERAL ARRANGEMENT	
FIRST ISSUE	04.08.15	DATE	04.08.2015
REVISIONS	NO	DATE	DRN
THE DRAWING AND THE CONTENTS ARE THE SOLE PROPERTY OF "RIVIERA" AND MUST BE KEPT IN CONFIDENCE. ANY REUSE OR REPRODUCTION OF THIS DRAWING WITHOUT THE WRITTEN PERMISSION OF "RIVIERA" IS STRICTLY PROHIBITED.		APP.	1 of 1