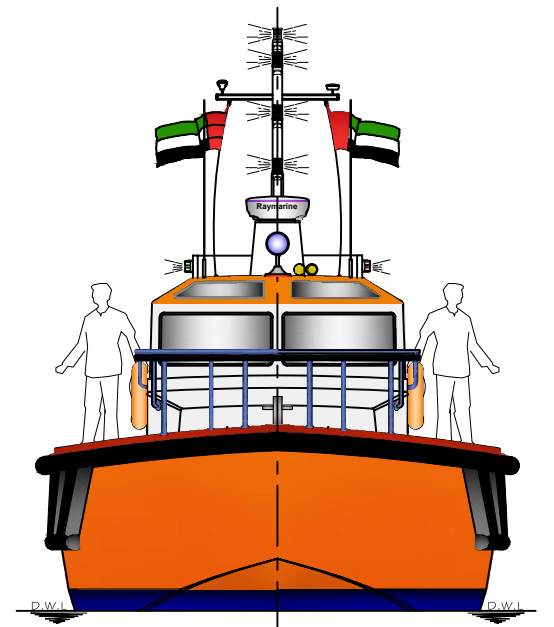
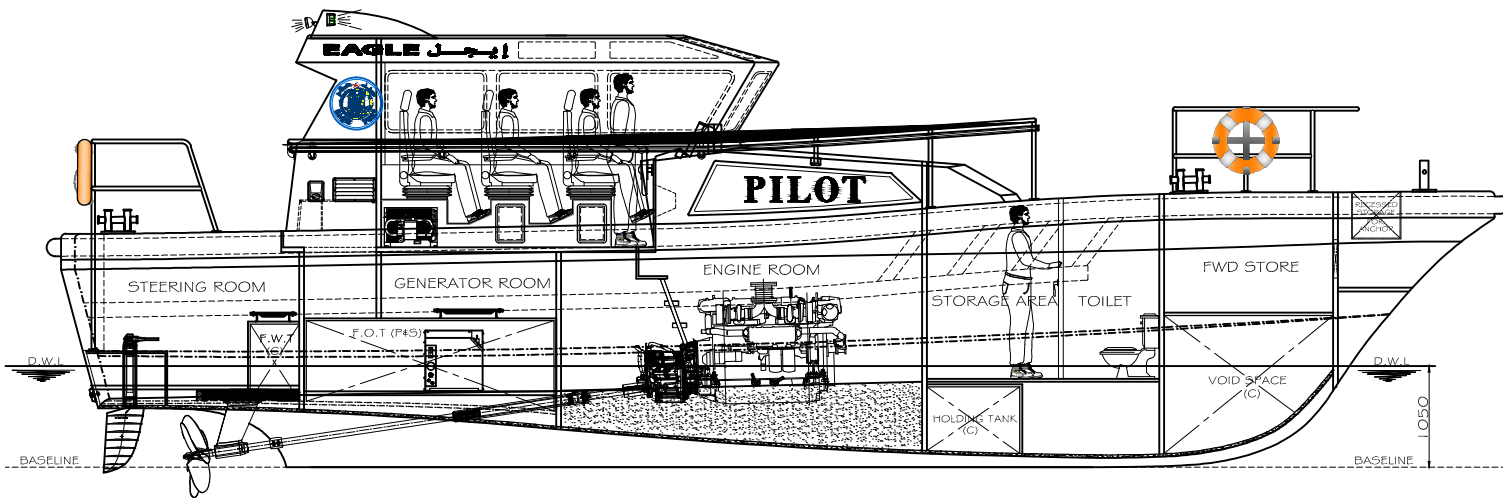


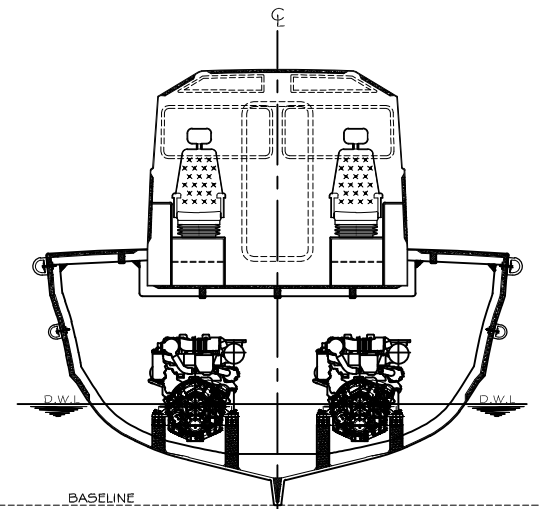
OUTBOARD PROFILE



ATHWARTSHIP



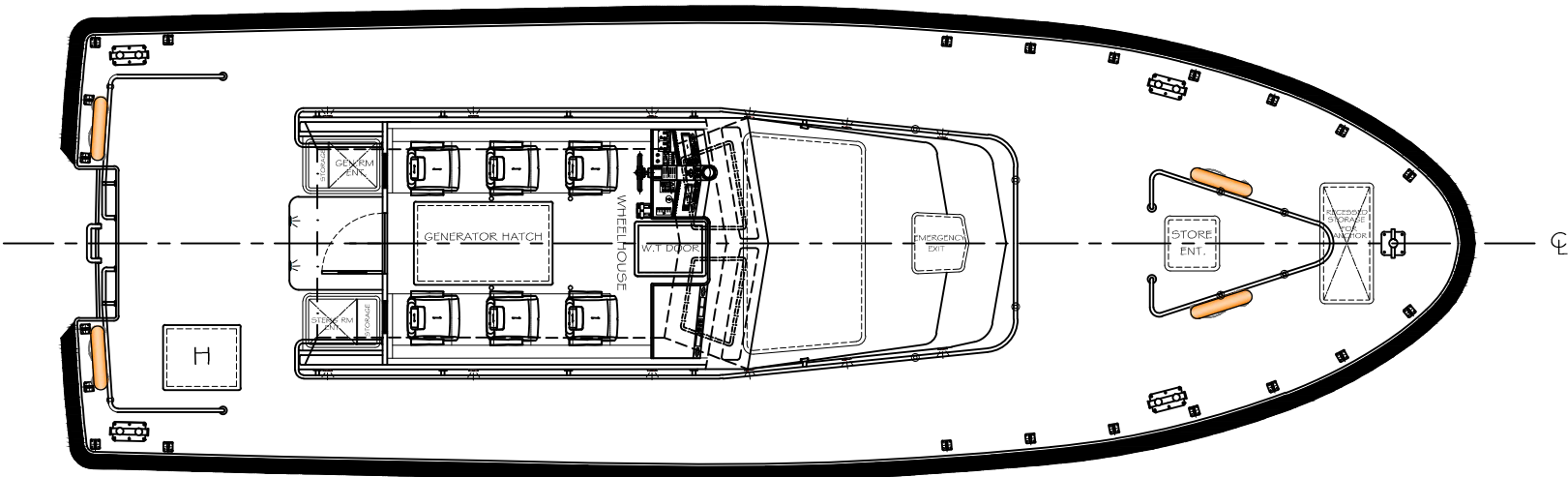
INBOARD PROFILE



MIDSHIP SECTION
VIEWED FROM AFT

STATIONS 10 9 8 7 6 5 4 3 2 1 0

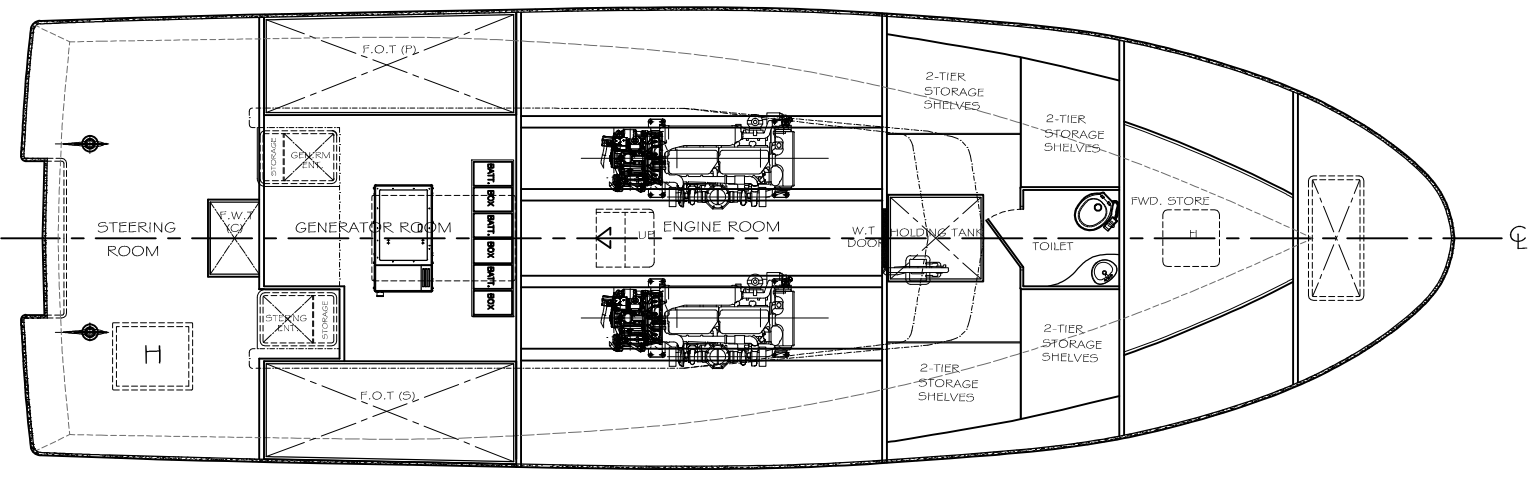
MAIN DECK




PARTICULARS

L. O. A.	15.00 M
L. W. L.	13.05 M
BEAM. O.A	5.10 M
DEPTH, Mid.	2.60 M
LOAD DRAFT	1.15 M

BELOW DECK



		PROJECT		15.00 Mtrs. PILOT BOAT	
		CLIENT			
AS BUILT		TITLE		GENERAL ARRANGEMENT	
FIRST ISSUE	0	15.11.15	JZE	JZE	DATE 15.11.15
REVISIONS	NO	DATE	DRN	CHKD	APP
DRAWING NO. RB-15/07-100		SHEET 1 of 1		SCALE 1:40	

THIS DRAWING AND ITS CONTENTS ARE THE SOLE PROPERTY OF INDUSTRIAL INVESTMENT CO. RIVERIA POOL, MIDDLE EAST LLC. THE WHOLE OR PART OF IT MAY NOT BE USED, REPRODUCED, COPIED OR SENT TO OTHERS WITHOUT PRIOR WRITTEN PERMISSION. ALL RIGHTS RESERVED.