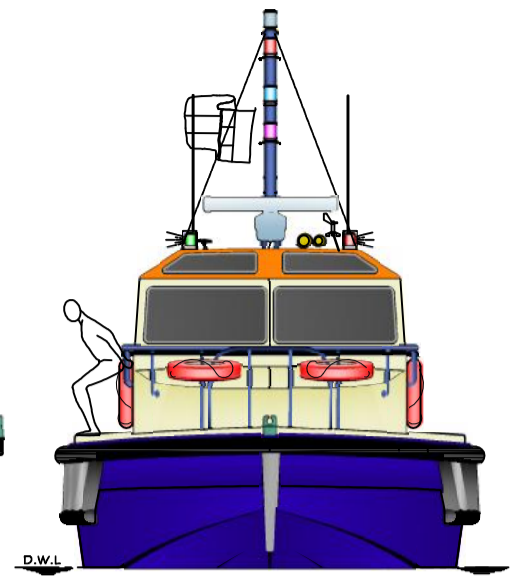
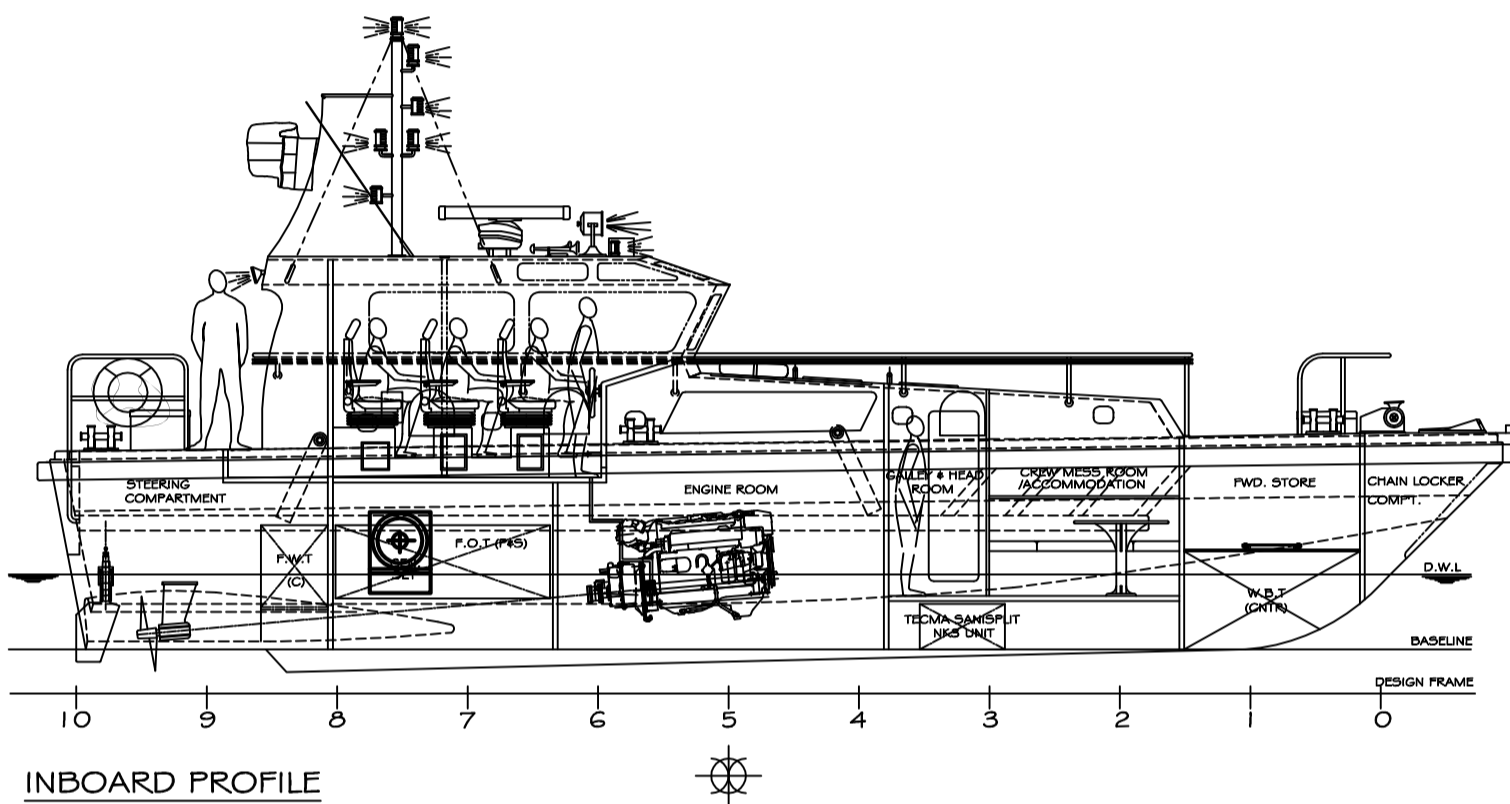


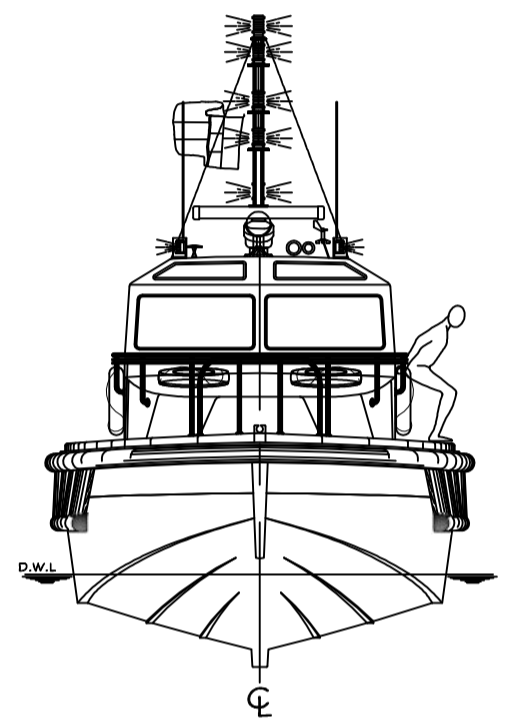
OUTBOARD PROFILE



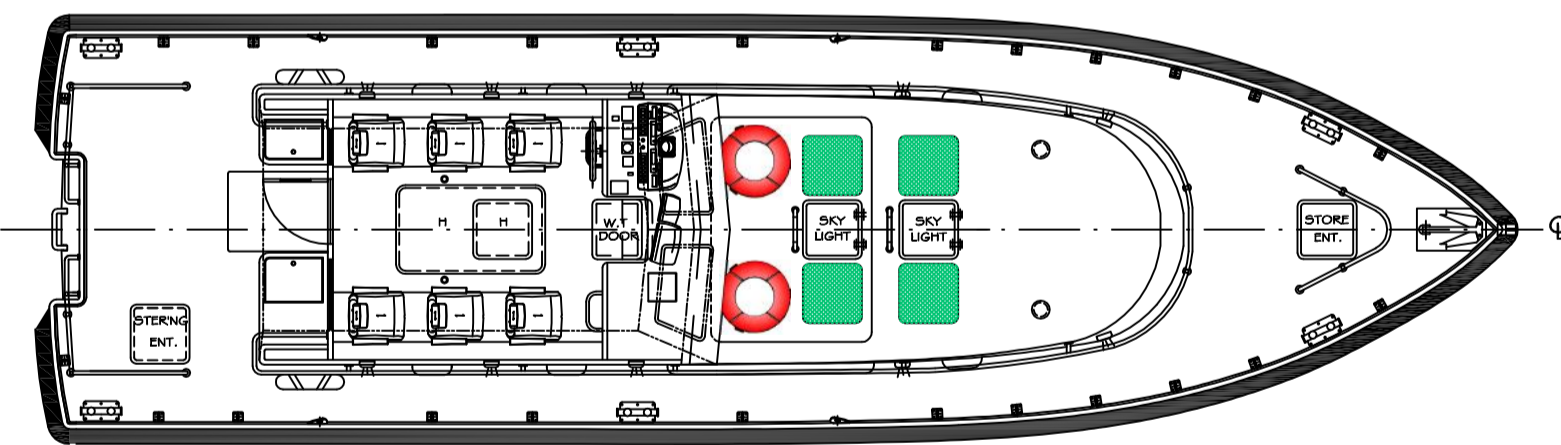
ATHWARTSHIP



INBOARD PROFILE



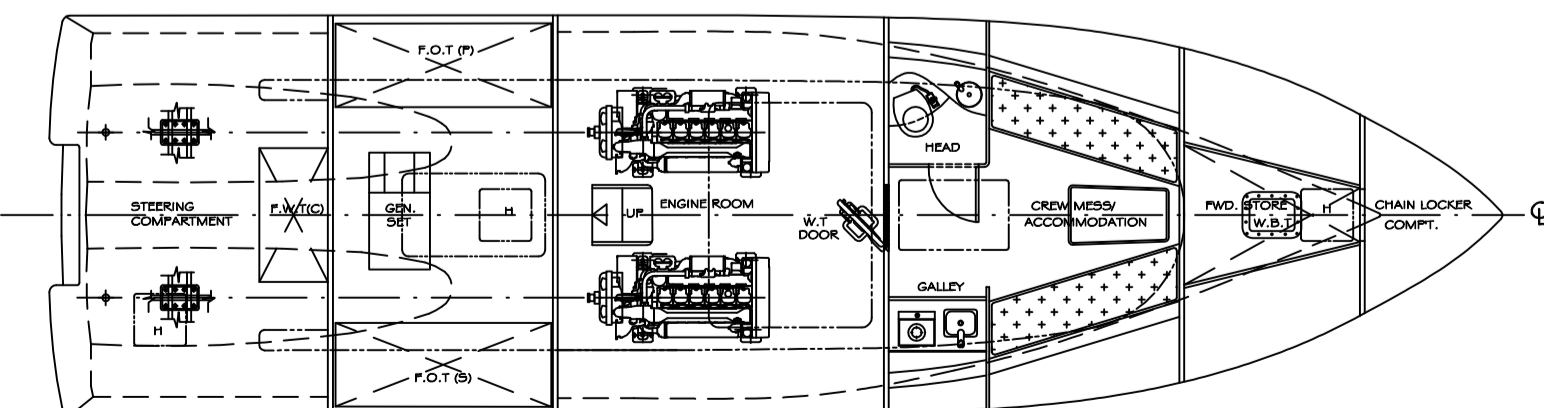
FRONT VIEW



MAIN DECK

PARTICULARS

L. O. A.	15.000 M
D. W. L.	13.050 M
BEAM	4.000 M
DEPTH, Mid.	2.060 M
DESIGN DRAFT	0.750 M



LOWER DECK

 Riviera POOL-BOAT-CRAFT-YACHT-TURNING		PROJECT		15.00M PILOT BOA	
		CLIENT			
FIRST ISSUE		0	20.08.15	JZE	JZE
REVISIONS		NO	DATE	DRN	CHKD APP. JZE
<small>THIS DRAWING AND ITS CONTENTS ARE THE SOLE PROPERTY OF INDUSTRIAL INVESTMENT CO. RWANDA FOR URSULE EAST LLC. THE WHOLE OR PART OF IT MAY NOT BE USED, REPRODUCED, COPIED, OR GIVEN TO OTHERS WITHOUT PRIOR WRITTEN PERMISSION.</small>		DATE	20.08.15	DRN BY	JZE
		SCALE	1:40	APPROVED	JZE
		SHEET	1 of 1	DRAWING NO.	PB-15/06-100