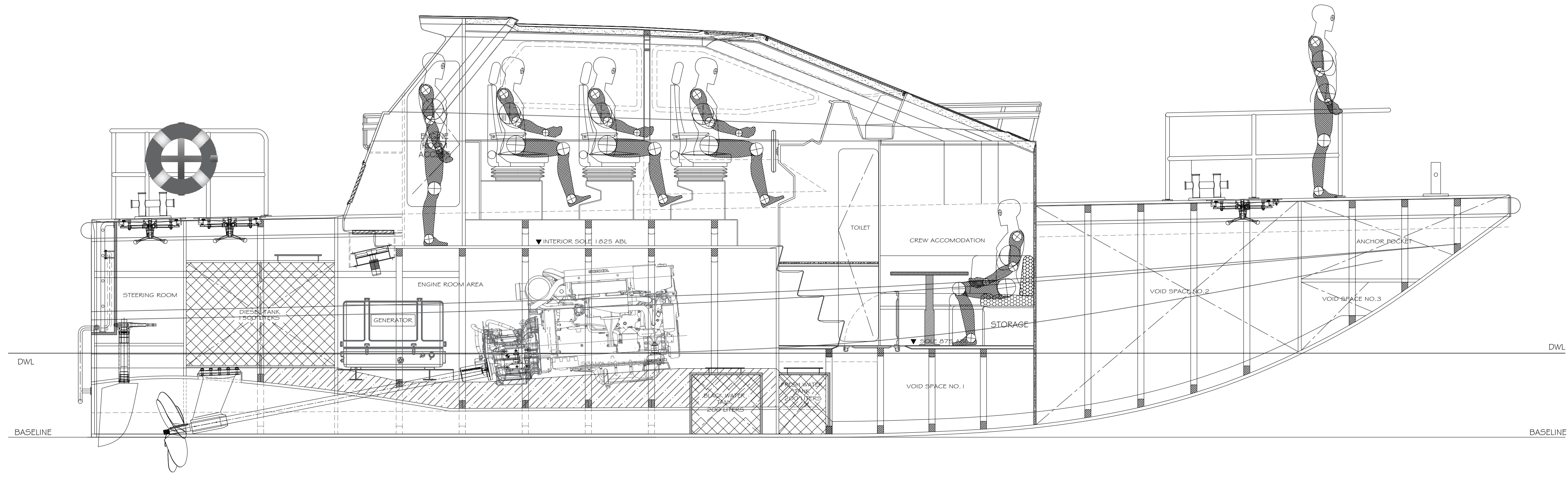
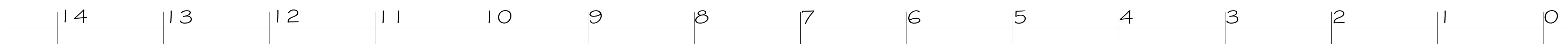


PRINCIPAL CHARACTERISTICS

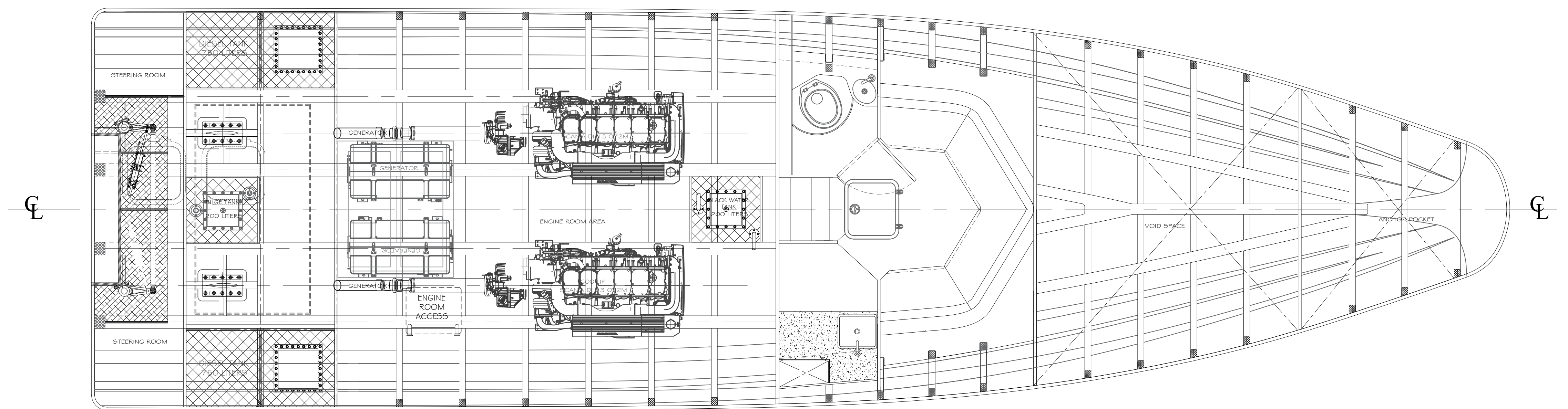
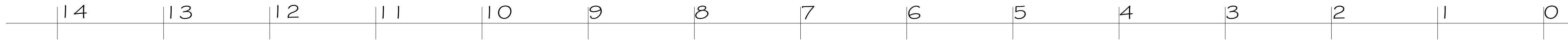
L. O. A. (moulded)	13.50 M
L. W. L.	11.52 M
BEAM O.A	4.05M
DRAFT (moulded)	0.80 M
DISPLACEMENT	APPROX. 14 TONNES



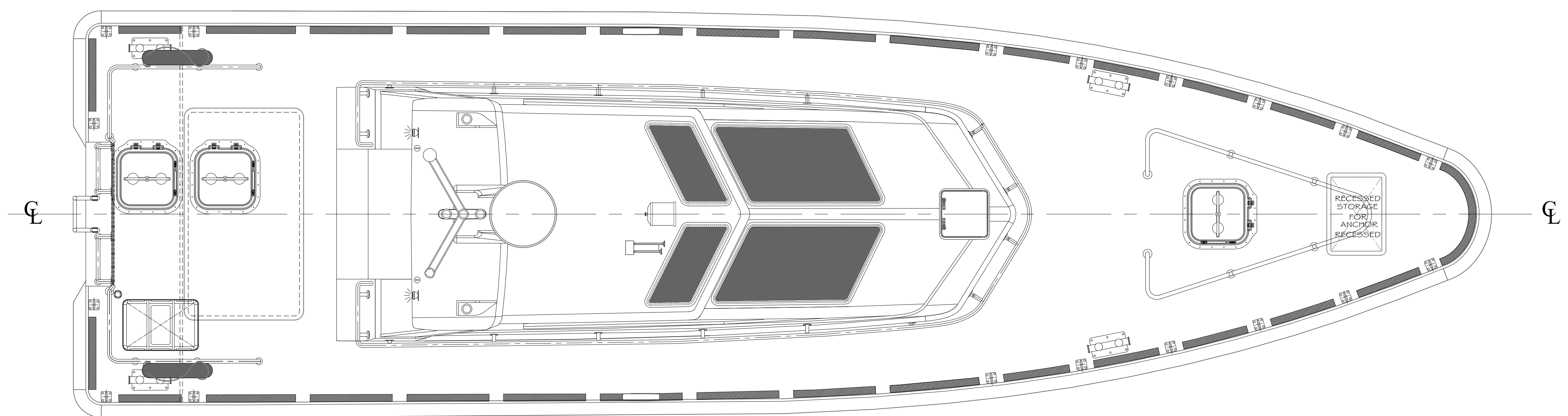
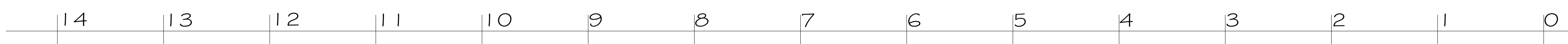
OUTBOARD PROFILE



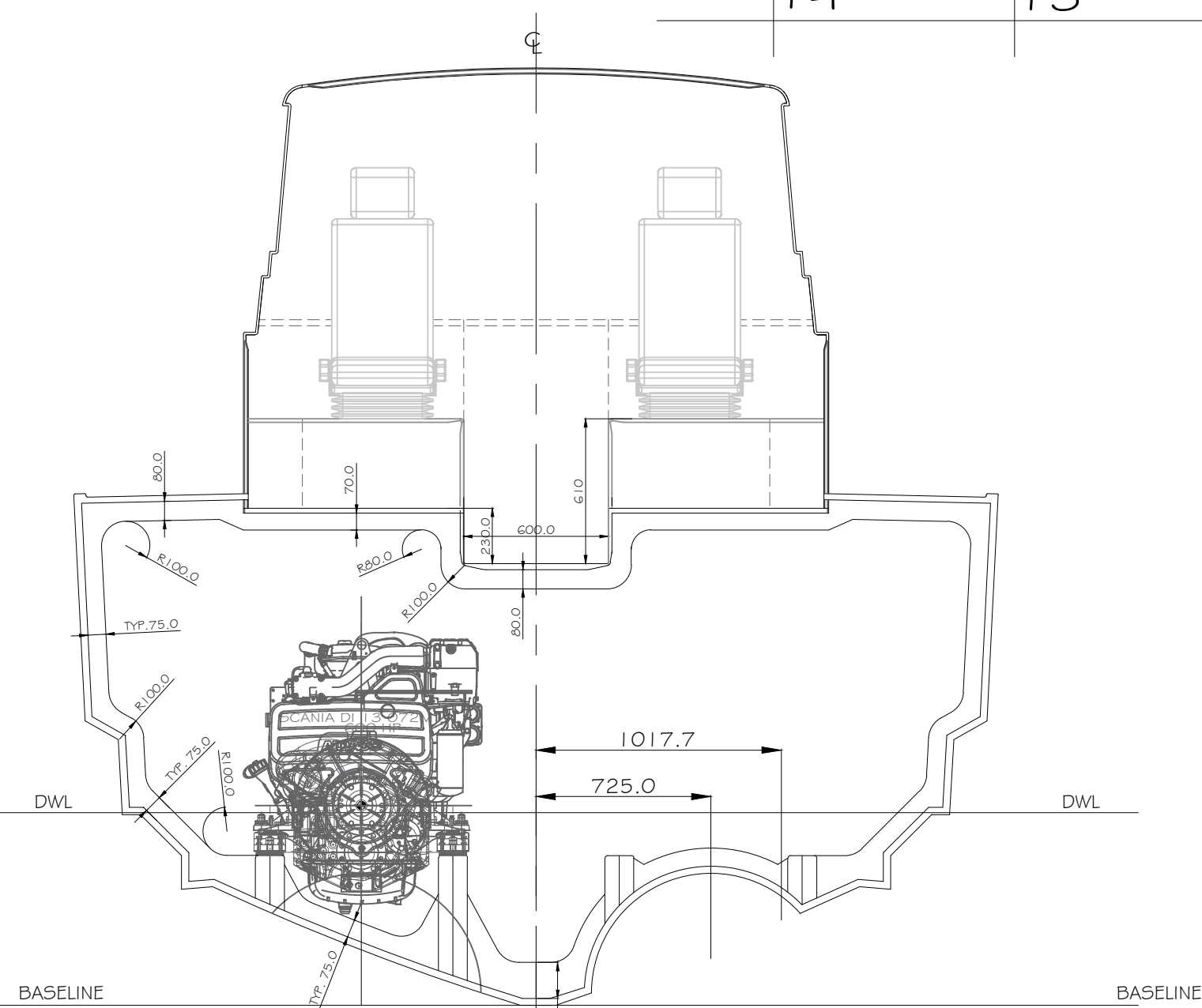
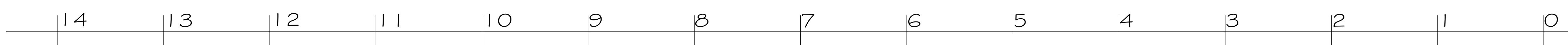
INBOARD PROFILE



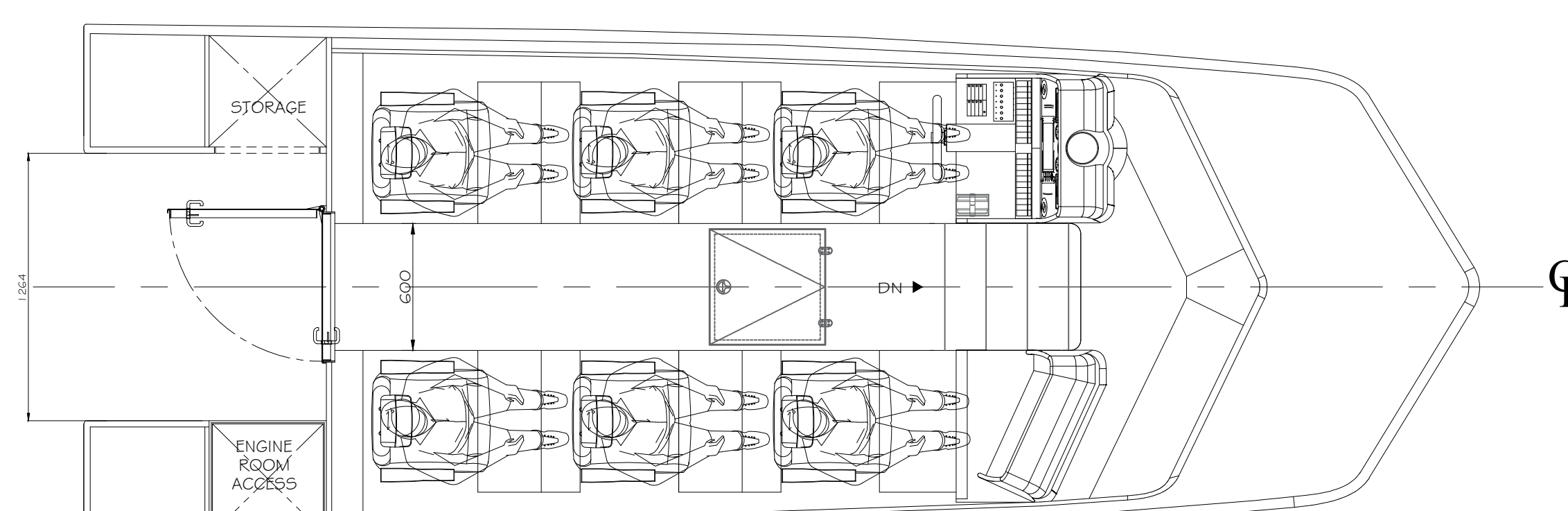
LOWER DECK PLAN



MAIN DECK PLAN



TYPICAL MID SECTION



WHEELHOUSE

 Riviera POOL-BOAT-CRAFT-YARD-TRADING		PROJECT	13.5M PILOT BOAT
		CLIENT	ADPC
		TITLE	PROPOSED GENERAL ARRANGEMENT
FIRST ISSUE	0 20-10-19	E.I.P.	J.ZE
REVISIONS	NO DATE	DRN	CHKD APP
		DRN BY	E.I.P.
		DATE	20-10-19
		DRAWING NO.	RB-13.501-100
		SHEET	1 of 1
		SCALE	1=35
<small>THIS DRAWING AND ITS CONTENTS ARE THE SOLE PROPERTY OF INDUSTRIAL INVESTMENT CO. RIVERA POOL, MIDDLE EAST, LLC. THE WHOLE OR PART OF IT MAY NOT BE USED, REPRODUCED, COPIED OR GIVEN TO OTHERS WITHOUT PRIOR WRITTEN PERMISSION. ALL RIGHTS RESERVED.</small>			